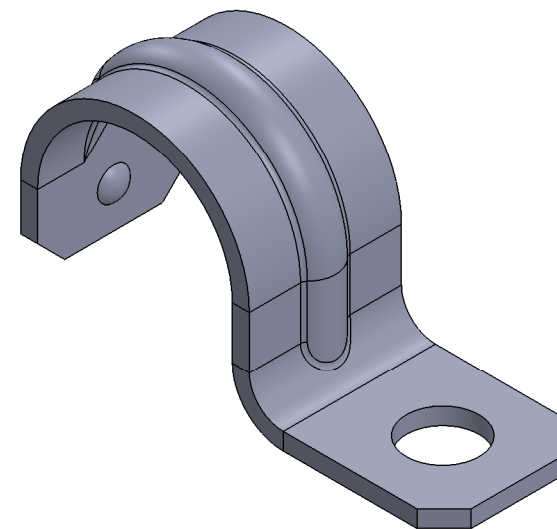
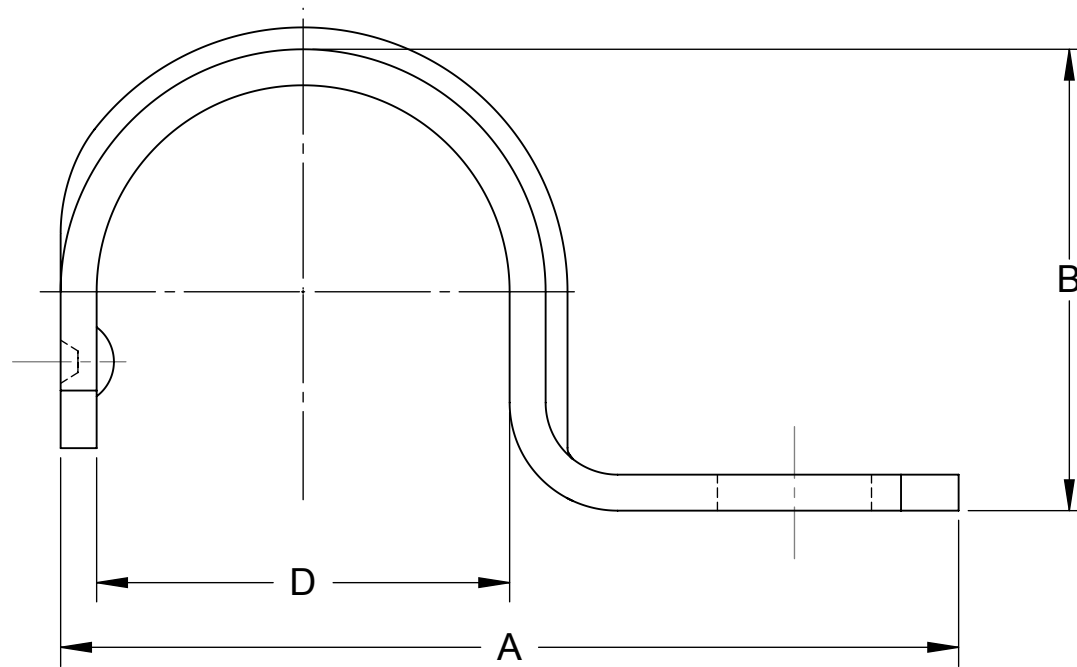
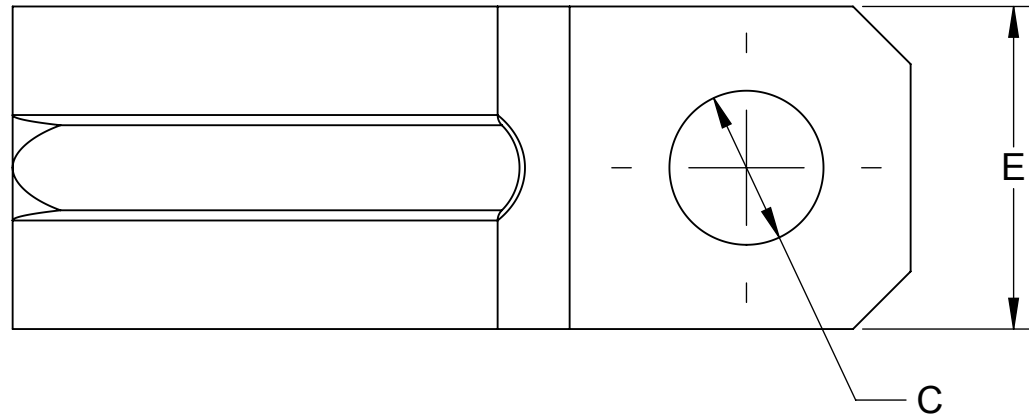


CAT NO.	TRADE SIZE	A	B	C	D	E
2082	1/2"	1.63 [41.4]	0.77 [19.6]	0.25 [6.4]	0.72 [18.3]	0.63 [16]
2083	3/4"	2.19 [55.6]	1 [25.4]	0.28 [7.1]	0.92 [23.4]	0.63 [16]
2084	1"	2.56 [65]	1.28 [32.5]	0.28 [7.1]	1.17 [29.7]	0.75 [19.1]
2085	1 1/4"	3.13 [79.5]	1.64 [41.7]	0.28 [7.1]	1.53 [38.9]	0.88 [22.4]
2086	1 1/2"	3.51 [89.1]	1.93 [49.2]	0.39 [9.8]	1.77 [45.0]	0.99 [25.1]
2088	2"	3.96 [100.6]	2.45 [62.2]	0.47 [11.9]	2.19 [55.6]	1.09 [27.7]



NOTES:

- ALL DIMENSIONS ARE IN INCHES AND [MILLIMETERS].
- 2082-2088 ARE UL LISTED.

LIST OF PARTS

DESCRIPTION	MATERIAL	FINISH
ONE HOLE STRAPS EMT	STEEL	GALVANIZED

SYM.	REVISION DESCRIPTION	APP	DATE
	INITIAL RELEASE	F.P	06/25/2015

THE DESIGN AND DIMENSIONS OF THE PRODUCT SHOWN ON THIS DRAWING ARE SUBJECT TO CHANGE WITHOUT NOTICE

TITLE:
ONE HOLE STRAPS

TOLERANCE UNLESS OTHERWISE SPECIFIED		RACO South Bend, Indiana	
.XX DECIMAL ±.015	DRAWN BY: F.PAUL	SCALE:	B
.XXX DECIMAL ±.005	APP. BY: X.X.	3:1	
ANGLE ±2°	DATE: 06/16/2015		

FILE NO. :
ONE HOLE STRAPS EMT CUS

DIMENSION SHEET FOR CAT. NO.
SEE CHART

SIZE:
B